



MODEL 38TREL

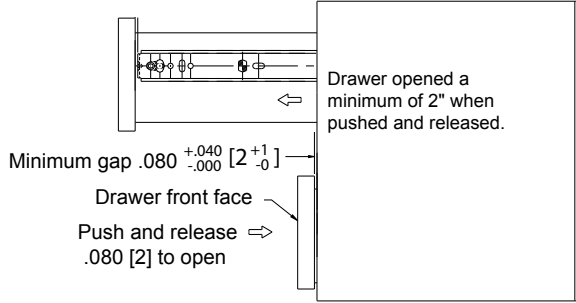
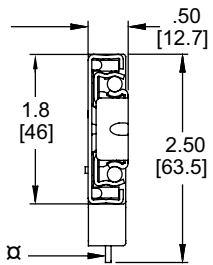
Senseon side mount slide with integrated electronic Touch Release lock. 100lb slide load rating.



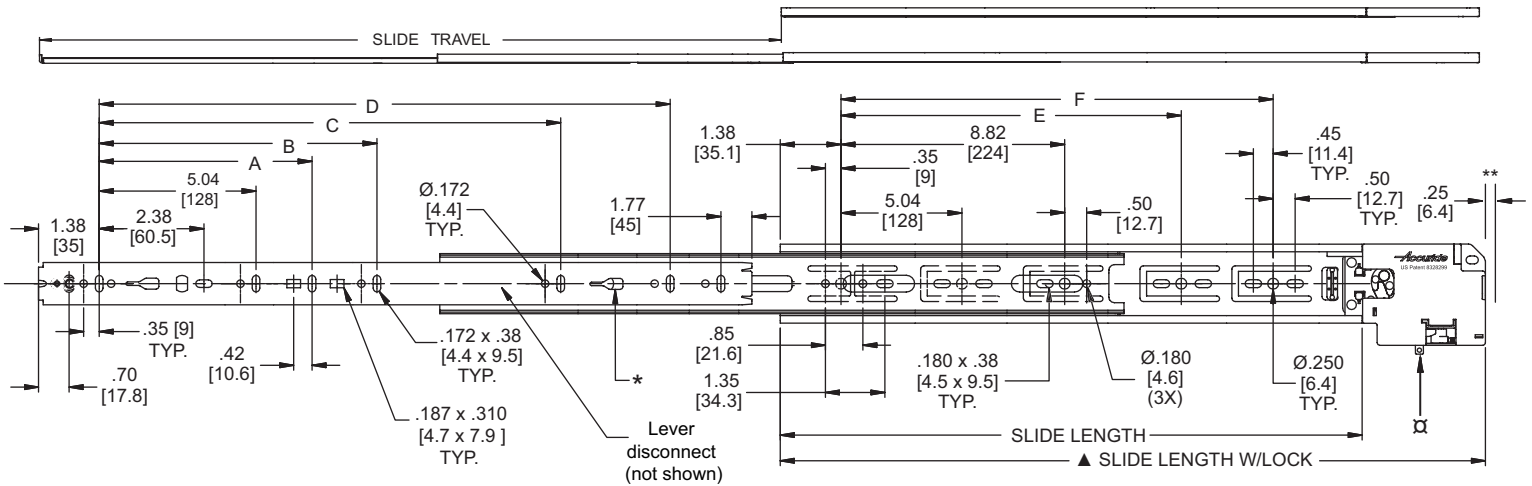
APPLICATIONS: Provides an easy-to-install method to secure and control access to drawers. **This product is covered by U.S. (8,328,299), and various patents pending.**

38TREL QUICK REFERENCE

Side Space: (1/2"+1/32) X 2
 Lengths: 12"–28"
 Height: 1.80"
 Slide Load: 100-lb.*
 Lock Force: 250 lbf.



Inch [mm] ⌘ Manual Override
 * Only available on 24"–28" lengths.
 ** Min Gap for connector 1/4" [6.4 mm]



Finish: Clear electroplate(C)

Lengths: 12"–28" [300 mm–700 mm]
Note: cabinet depth must include an additional 3" to allow room for the locking mechanism and wiring at the back of the slide.

SlideLoad Rating: Up to 100 lbs. [45.5 kg] per pair*

Travel: Full extension

Disconnect: Handed lever disconnect

Height: 1.80" [46mm]

Height w/Lock: 2.50" [63.5mm]

Side Space: 0.50 +0.031/-0.0 [12.7mm +0.8/0.0] or 1/2 + 1/32

Mounting Hardware: #8 pan or truss head screw (recommended max. head height 0.100)

Features: Electronic locking mechanism with manual override. Lock withstands up to 250 pounds of force.

Drawer opens about 2" when activated by touch.

* Slide load rating based on 18" slides mounted in a 24" wide drawer cycled 50,000 times.

Part Number	Slide Length	Length w/Lock	Travel	A	B	C	D	E	F
C38TR-EL12	11.81 [300]	14.61 [371]	12.00 [305]						
C38TR-EL14	13.78 [350]	16.58 [421]	14.00 [356]						
C38TR-EL16	15.75 [400]	18.55 [471]	16.00 [406]						12.60 [320]
C38TR-EL18	17.72 [450]	20.51 [521]	18.00 [457]			12.60 [320]			13.86 [352]
C38TR-EL20	19.68 [500]	22.48 [571]	20.00 [508]			12.60 [320]			16.38 [416]
C38TR-EL22	21.65 [550]	24.45 [621]	22.00 [559]			12.60 [320]	16.38 [416]	13.86 [352]	17.64 [448]
C38TR-EL24	23.62 [600]	26.42 [671]	24.00 [610]	8.82 [224]		16.38 [416]		13.86 [352]	18.90 [480]
C38TR-EL26	25.59 [650]	28.39 [721]	26.00 [660]	8.82 [224]		16.38 [416]	21.42 [544]	13.86 [352]	21.42 [544]
C38TR-EL28	27.56 [700]	30.36 [771]	28.00 [711]	8.82 [224]	11.34 [288]	16.38 [416]	21.42 [544]	13.86 [352]	21.42 [544]



WARNING! Before installing the drawer, insure you have access to the lock's manual override lever or the activation device must be connected and working properly. **Otherwise, you will not be able to unlock the slide and open the drawer.**

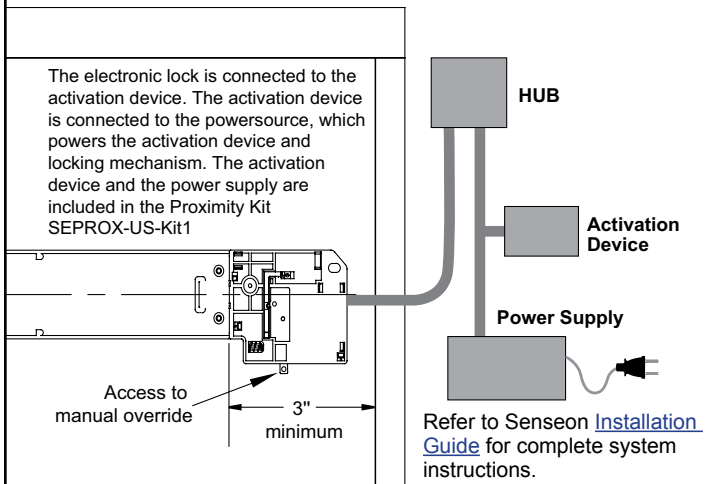
IMPORTANT:

- Be sure the interior cabinet depth allows for an additional 3" beyond the length of the slide to provide room for the locking mechanism and wiring (Figure 1). See the chart below for minimum cabinet depth. For the inset drawers, be sure to provide sufficient cabinet depth to allow for the slide setback.

Slide Length	Min. Cabinet Depth
16"	19"
18"	21"
20"	23"
22"	25"

- Slides will not function properly if side space is less than .50" [12.7 mm]. For optimum performance, construct drawer 1-1/16" [27.0 mm] smaller than the opening of the cabinet.

Figure 1. 38TREL Components and Interior Cabinet Depth



Slide Installation

Install Cabinet Member

1. Separate the slide members by first actuating the manual override located on the locking mechanism.
2. Then, lift the disconnect lever to release the inner (drawer) member.
3. Overlay drawer front:
 - Conventional mounting, see Figure 2.
 - 32 mm system mounting, see Figure 3.

Figure 2. Conventional mounting - Cabinet

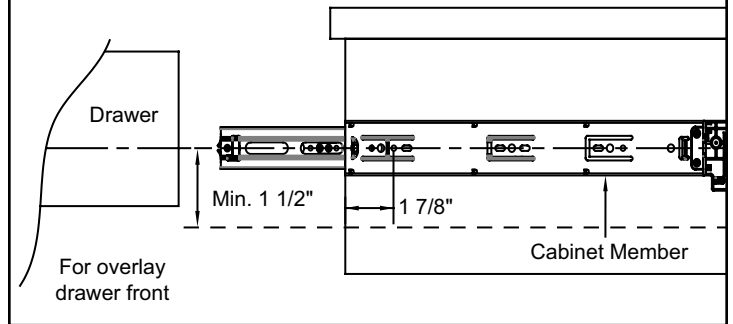
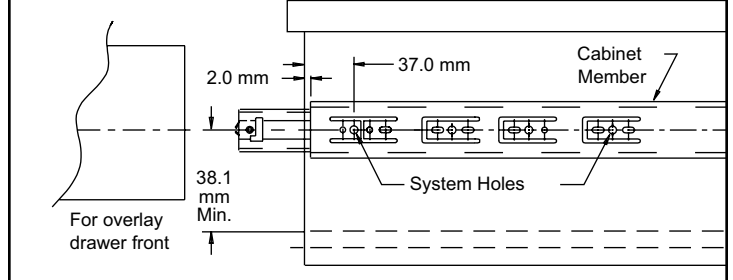


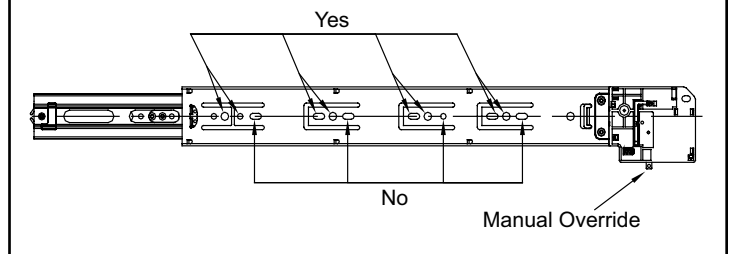
Figure 3. 32 mm system mounting - Cabinet



4. Inset drawer front: Slide setback is the thickness of the drawer front plus 1/8" [3.2 mm].
5. Use only the 32 mm system holes or the wood screw holes located at the tip of the breathing tabs. Do not use any other holes on the cabinet member for mounting (Figure 4).

Figure 4. Cabinet Member Fastener Locations

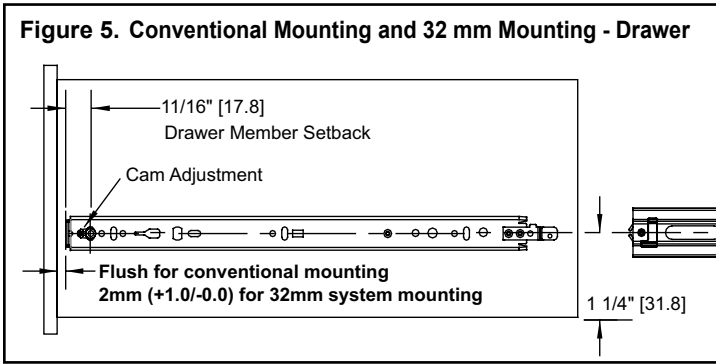
Use all mounting tabs to achieve load rating.



Install Drawer Member

1. See Figure 5 for drawer member setback.
2. Install the drawer member with a screw through the cam adjuster and a screw through a hole or slot at the rear (see Figure 5).

Figure 5. Conventional Mounting and 32 mm Mounting - Drawer



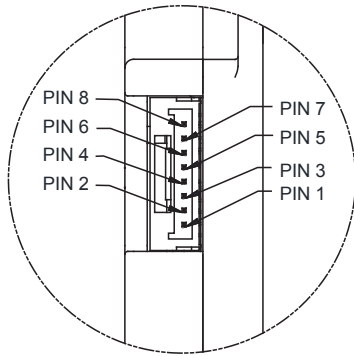
Drawer Insertion and Adjustment

WARNING! Before installing the drawer, you must have access to the lock's manual override lever or the activation device must be connected and working properly. Otherwise, you will not be able to unlock the slide and open the drawer.

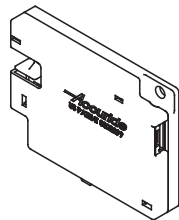
1. Make sure the ball bearing retainers in the cabinet are fully forward. Install drawer into cabinet and close the drawer.
2. Install additional screws to secure the drawer-member after verifying form and function install.

Technical Data

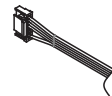
Power Requirements and Connectors



SM08B-GHS-TB (JST lock connector)



GHR-08V-S (JST cable connector)



WIRE	COLOR	OEM Cable
8	RED	PWR (+5VDC to +24VDC Max)
7	GREY	PWR (-) Ground
6	GREY	Trigger : See Note 3
5	GREY	Jumper connection for TR only
4	GREY	Drawer Status
3	GREY	For internal use only, do not use*
2	GREY	For internal use only, do not use*
1	GREY	Lock Status

Technical Data

Voltage Supply : +5VDC to +24VDC Maximum

Current Consumption : 50mA for 200 milliseconds @12VDC (Unlocking and Locking)

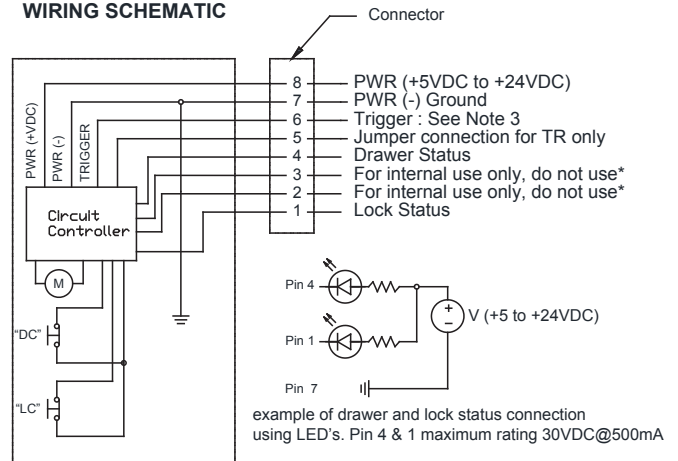
Internal Sensor Specifications

Mechanical Life : 300,000 cycles (Drawer Contact "DC") (Lock Contact "LC")

Notes:

1. Drawer status output:
Drawer open : = "Open"
Drawer closed : = "Ground"
2. Lock status output:
Lock is unlocked : = "Open"
Lock is locked : = "Ground"
3. +5VDC to +24VDC Max at pin 6 will unlock the Electronic Lock. The Electronic Lock will remain unlocked until +VDC is removed.
4. (*) PIN 2 & 3 ARE USED FOR INTERNAL USE DO NOT USE.

WIRING SCHEMATIC



A pair of slides packaged in a box with two 38TREL e-locks.
 Bulk Pack (P): Full box quantity, electronic locks are packaged in a larger box with 4 individual boxes with a pair of 38TREL each.

Required Kits

Proximity Kit: One proximity kit per each Senseon system.
 Part number SEPROX-US-Kit1.

This kit includes:

- 1 RFID Reader
- 1 Power Supply
- 1 Reader Holder
- 1 DC Power Cable
- 1 Reader Splitter Cable
- 1 AC Cord
- 1 Proximity Kit Box
- 2 Power Supply Holders
- 12 Cable Clips

Hub Kit: One Hub Kit per cabinet opening (drawer and door).
 Modular wiring kit part number SEHUBX-Kit1.

This kit includes:

- 1 Hub Assembly
- 2 Hub to Lock Cable
- 4 Cable Clips
- 6" Double Stick Tape

Optional Kits

Linking Cables: To connect multiple banks of lock openings.

- Top Linking SELINK-TOP-KIT1
- Bottom Linking SELINK-BTM-KIT1

Extension Cables: Available in 3 lengths

- 6" SECBLX-6-KIT1
- 12" SECBLX-12-KIT1
- 24" SECBLX-24-KIT1

Note: See installation and ordering guides.

Click here for [Installation Guide](#)

Click here for [Ordering Guide](#)

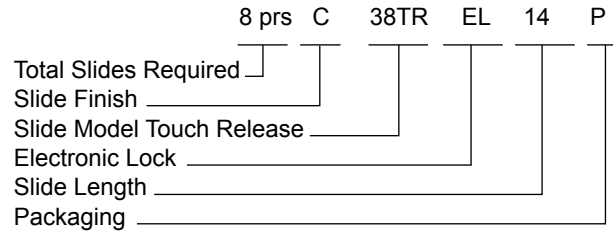
Specifications

Slide members and ball retainers: Cold rolled steel
 Ball bearings: Carburized steel/acetal polymer
 Lock: Zinc and black polymer
 RoHS compliant

NOTE: Specifications, materials, prices, terms, and delivery are subject to change without notice.

C 38TR-EL (Touch Release)

Complete your slide order for 38TREL by specifying the following:



Note: To complete your order refer to required kit part numbers.

Warranty

For warranty information visit
<http://www.senseonsecure.com/warranty>



ACCURIDE INTERNATIONAL INC.

12311 Shoemaker Avenue
 Santa Fe Springs, CA 90670

TEL (562) 903-0200
 FAX (562) 903-0208
www.accuride.com

Manufacturing, Engineering, and Sales
 United States • Germany • Japan • Mexico • United Kingdom • China