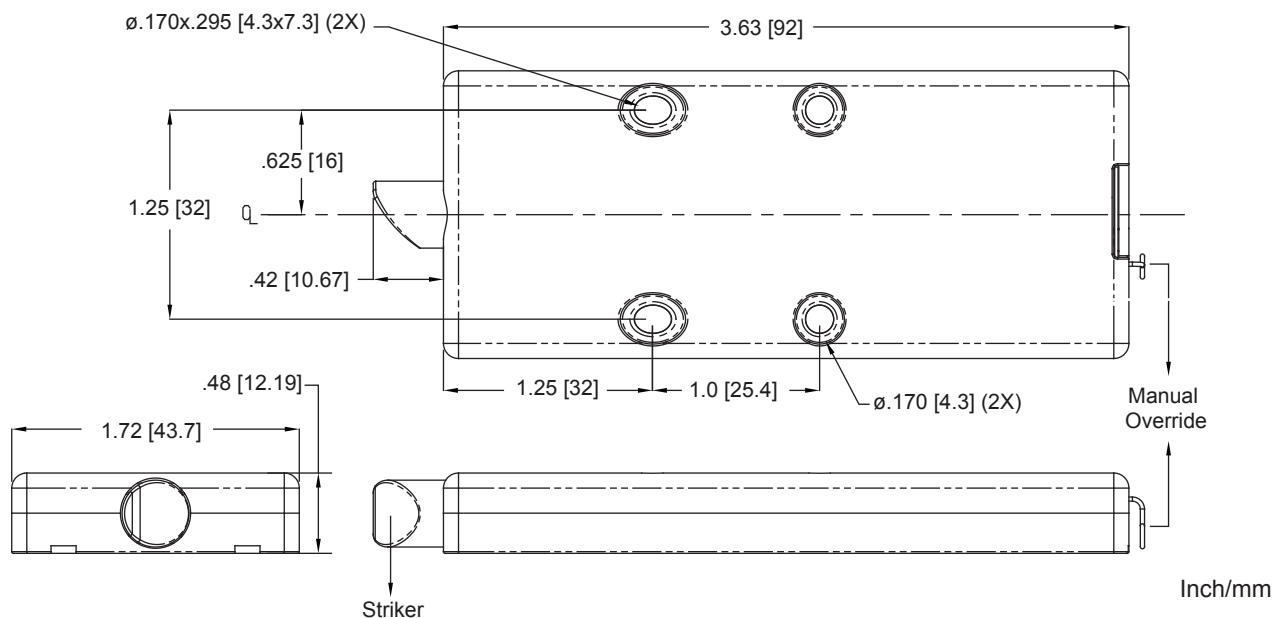


Model 5EL

Electronic Lock for Casework
Sliding Doors.



Specifications

Lock Finish: Black (C)

Height: 0.48" [12mm]

Width: 1.72" [44mm]

Length: 3.63" [92mm]

Mounting: Horizontal or vertical (left or right)

Mounting Hardware: #6 square drive pan head (included)


Features: The 5EL is an electronic locking mechanism with manual override

Withstands up to 150 pounds of force

Works with Senseon Secure Access Control

Lock Voltage Supply: +6 VDC to +24 VDC

Lock Connector: SM08B GHS TB

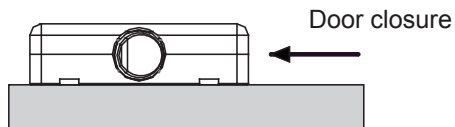


WARNING! Before installing the lock, you must have access to manual override lever or the activation device must be connected. Otherwise, the lock will not unlock and open.

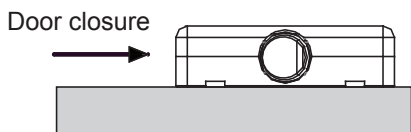
Mounting Options

Striker orientation based on door closure direction for optional lock mounting positions.

Horizontal Mounting (standard)

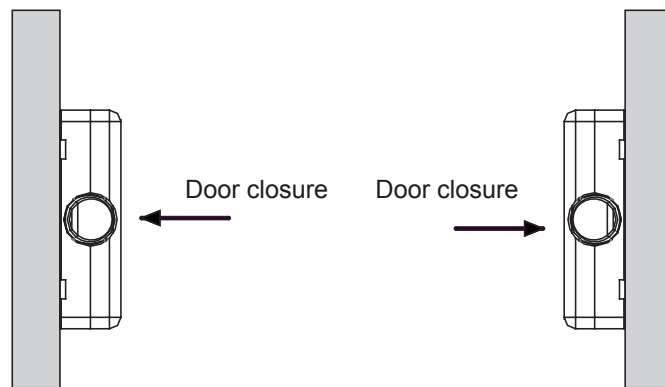


LH Horizontal



RH Horizontal

Vertical Mounting



LH Vertical

RH Vertical

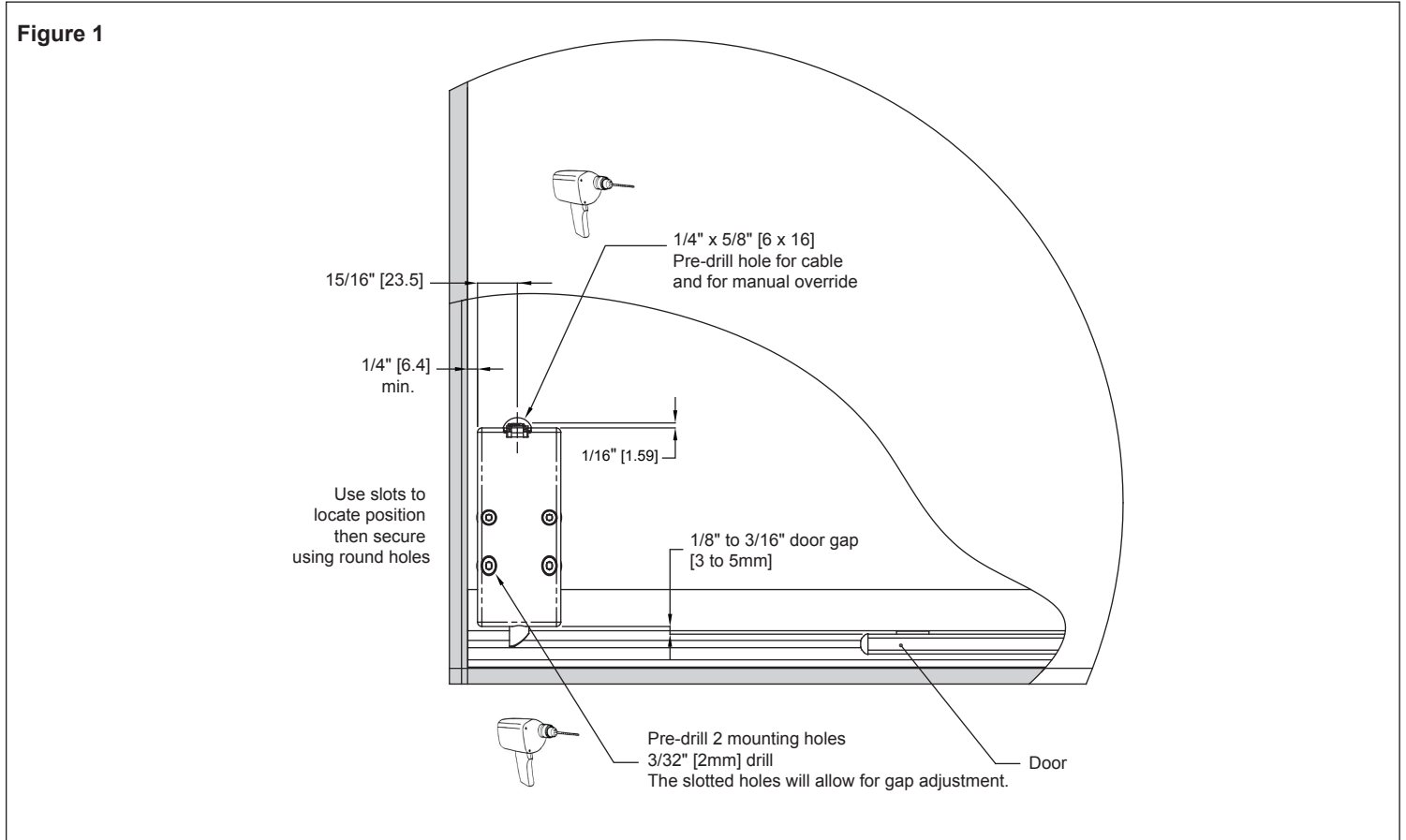
Model 5EL

Electronic Lock for Casework Sliding Doors.

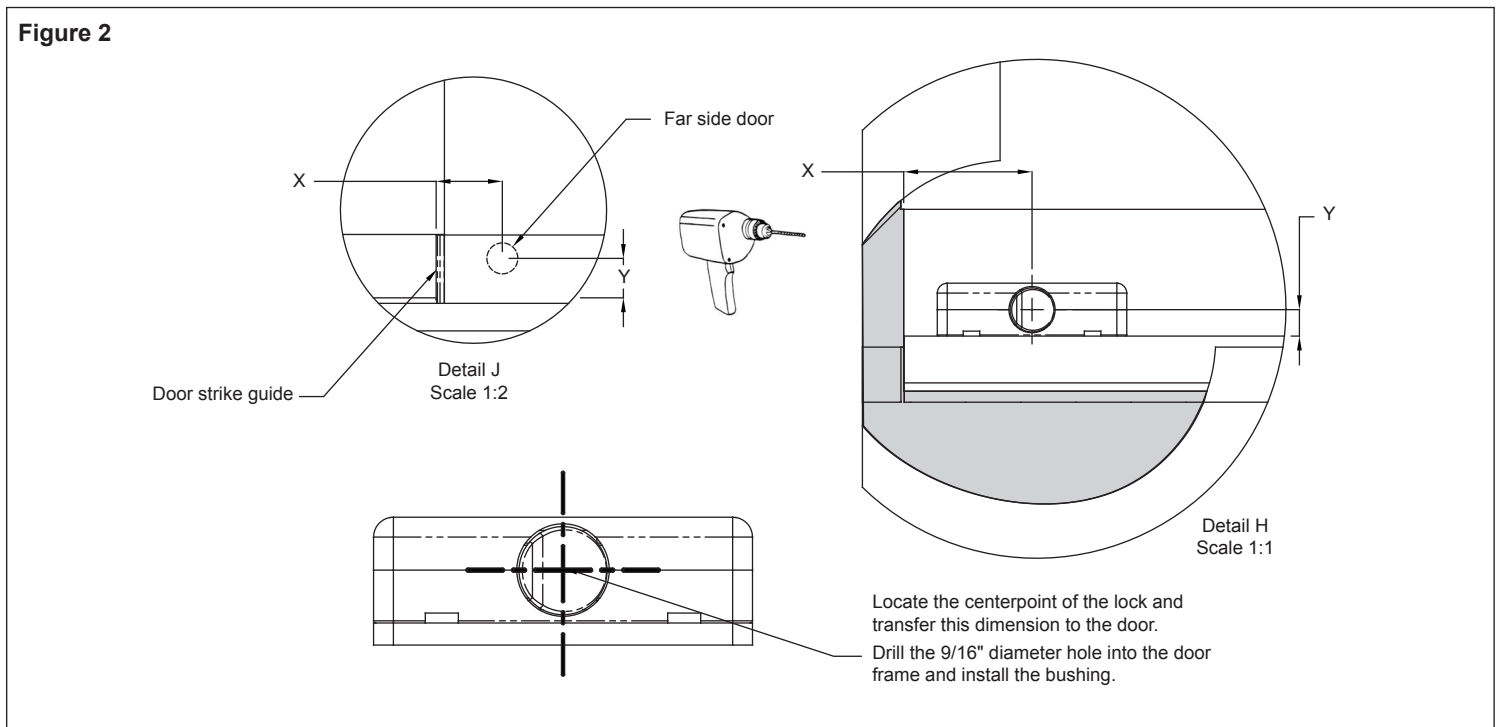


Installation Guide -- Horizontal installation

Locate critical dimensions and minimum distance for 5EL assembly (Fig 1)



Transferring striker location to drill door (Fig 2)



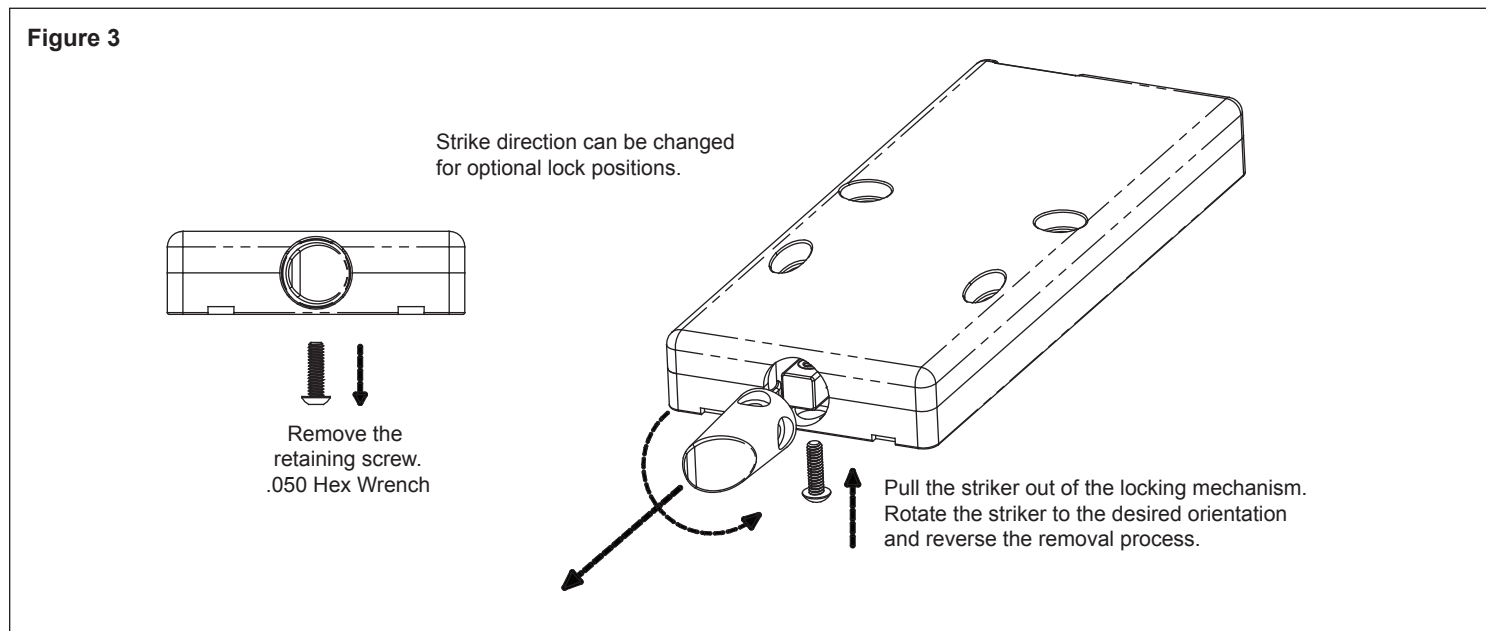
Model 5EL

Electronic Lock for Casework
Sliding Doors.

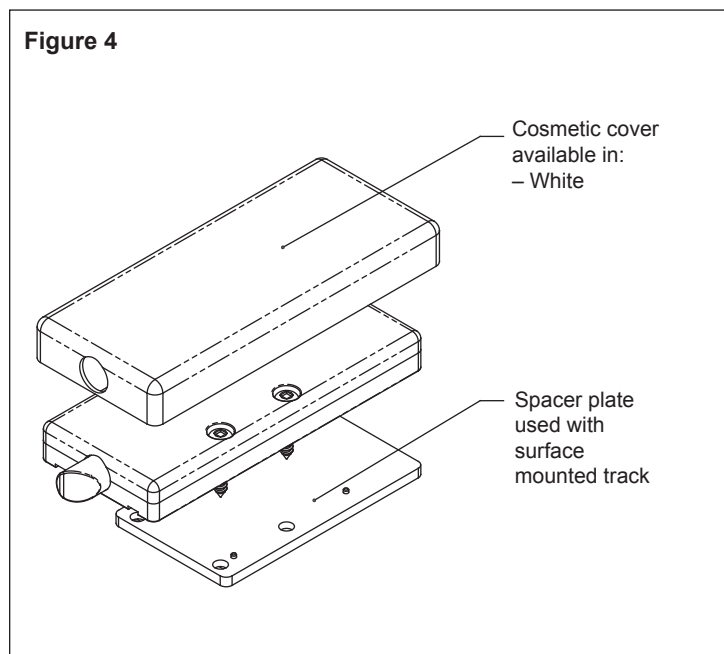


Installation Guide -- Horizontal installation (continued)

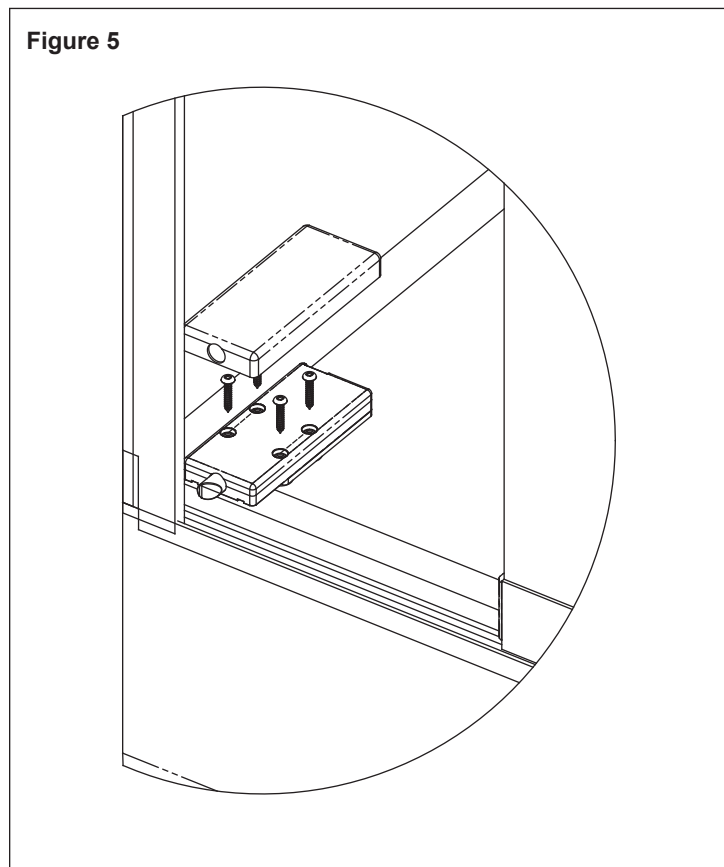
Striker orientation for right or left hand installation (Fig 3).



Leveling striker in case 5EL assembly is below door track (Fig 4)



Securing 5EL assembly and optional cosmetic cover (Fig 5)



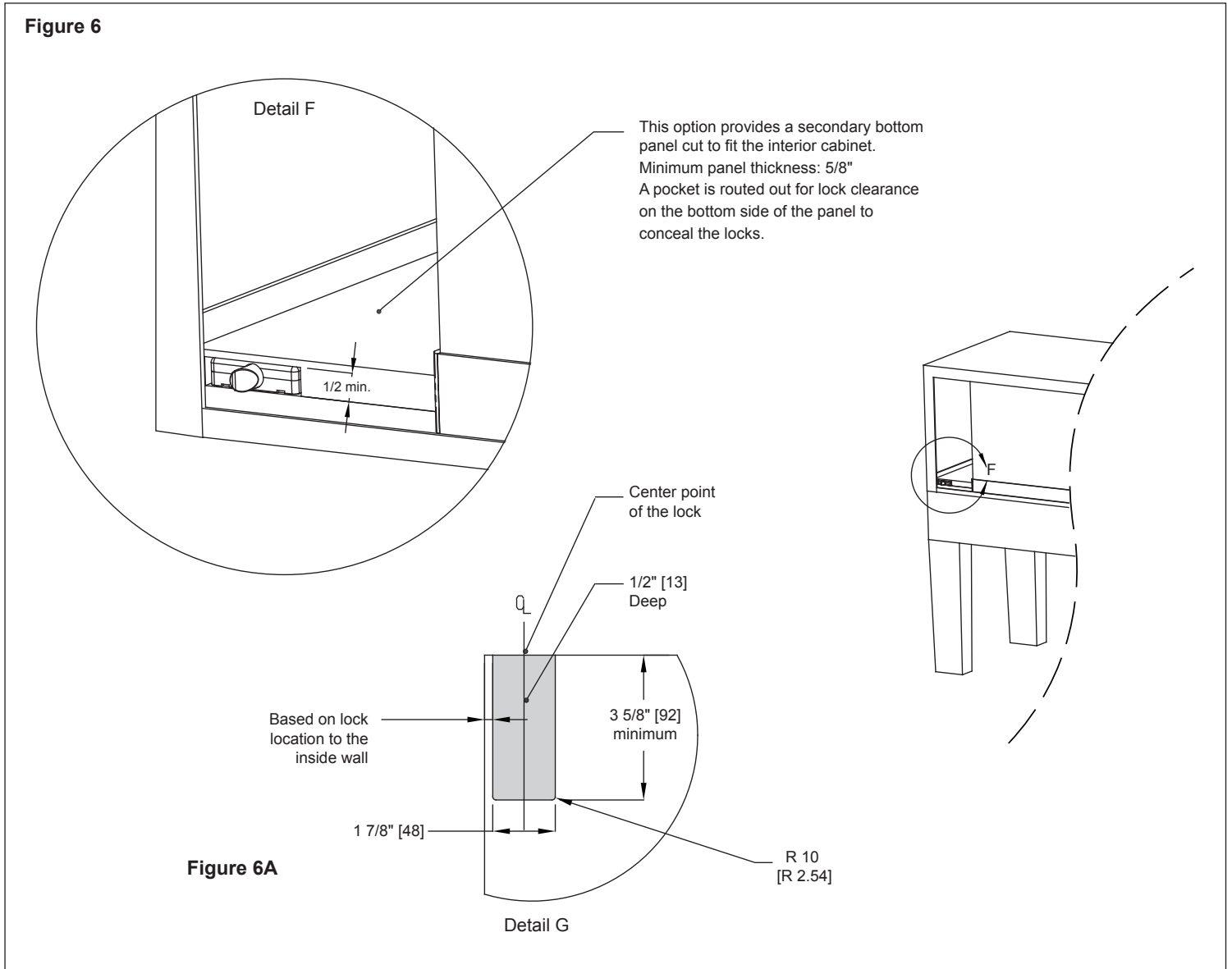
Model 5EL

Electronic Lock for Casework
Sliding Doors.



Installation Guide -- Horizontal installation (continued)

Critical dimensions for optional secondary bottom panel installation (Fig 6)

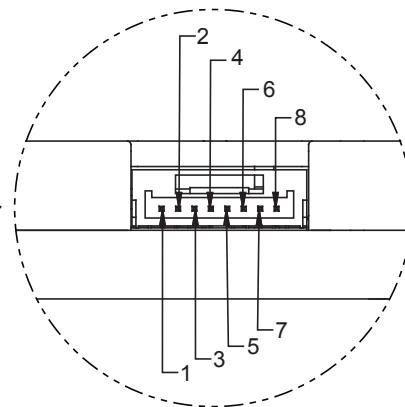
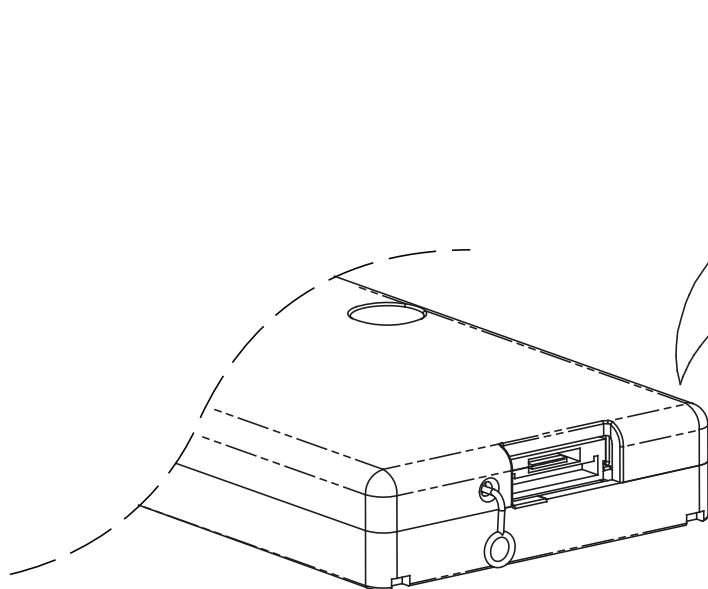


Model 5EL

Electronic Lock for Casework
Sliding Doors.

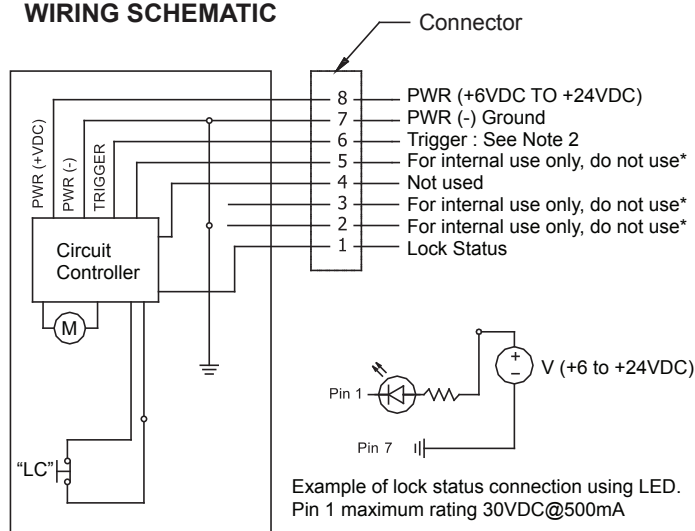


Technical Data



WIRE	COLOR	
8	GREY	PWR (+6VDC TO +24VDC)
7	BLACK	PWR (-) Ground
6	BLACK	Trigger : See Note 2
5	BLACK	For internal use only, do not use*
4	BLACK	Not used
3	BLACK	For internal use only, do not use*
2	BLACK	For internal use only, do not use*
1	BLACK	Lock Status

WIRING SCHEMATIC



Technical Data

Voltage Supply : +6VDC to +24VDC

Current Consumption : 375 mA/350 mS@12VDC
(Unlocking/Locking)

Micro-Switch Specifications

Mechanical Life : 500,000 cycles
(Lock Contact "LC")

Notes

1. Lock status output:
Lock is unlocked : = "ground"
Lock is locked : = "open"
2. +6VDC to +24VDC at pin 6 will unlock the Electronic Lock. The Electronic Lock will remain unlocked until +VDC is removed.
3. (*) Used for Senseon Access Control, do not use.

Model 5EL

Electronic Lock for Casework
Sliding Doors.



Packaging

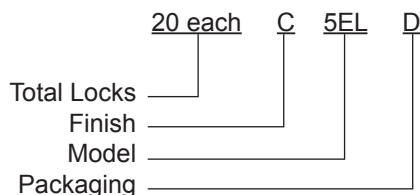
D Pack: One 5EL lock assembly per box.

Assembly includes

- 1 each SDEL-01 (showcase/display case lock)
- 1 each spacer plate
- 4 each installation screws
- 1 each door bushing
- 1 each door strike guide
- 1 each cosmetic cover [white]

Ordering Instructions

Complete your order by specifying the following:



Specifications

Lock: Black polymer. All components are RoHS compliant.

NOTE: Specifications, materials, prices, terms, and delivery are subject to change without notice.

Warranty

For warranty information visit

<http://www.senseonsecure.com/warranty>

Required Kits

Proximity Kit:

One proximity kit per each Senseon system.

Part number SEPROX-US-Kit1. The kit includes:

- 1 RFID Reader
- 1 Power Supply
- 1 Reader Holder
- 1 DC Power Cable
- 12 Cable Clips
- 1 Top link Cable
- 1 AC Cord
- 1 Proximity Kit Box
- 2 Power Supply Holders

Hub Kit: One Hub Kit per cabinet opening (drawer and door).

Modular wiring kit part number SEHUBX-Kit1. The kit includes:

- 1 Hub Assembly
- 2 Hub to Lock Cable
- 4 Cable Clips
- 6" Double Stick Tape

Optional Kits

Linking Cables: To connect multiple banks for lock openings.

- Top Linking SELINK-TOP-KIT1
- Bottom Linking SELINK-BTM-KIT1

Extension Cables: Available in 3 lengths

- 6" SECBLX-6-KIT1
- 12" SECBLX-12-KIT1
- 24" SECBLX-24-KIT1

Glass Mount Catch Kit: To locate the catch on glass doors.

Specify P/N 4180-0763-XE and includes:

- Catch
- Installation Jig
- Technical sheet

Screw Mount Catch Kit: To locate catch on surfaces other than glass (wood or metal). Specify 4180-0764-XE and includes:

- Catch
- Screw
- Installation Jig
- Technical Sheet

Accuride

ACCURIDE INTERNATIONAL INC.

12311 Shoemaker Avenue
Santa Fe Springs, CA 90670

TEL (562) 903-0200

FAX (562) 903-0208

www accuride.com

Manufacturing, Engineering, and Sales

United States • Germany • Japan • Mexico • United Kingdom • China