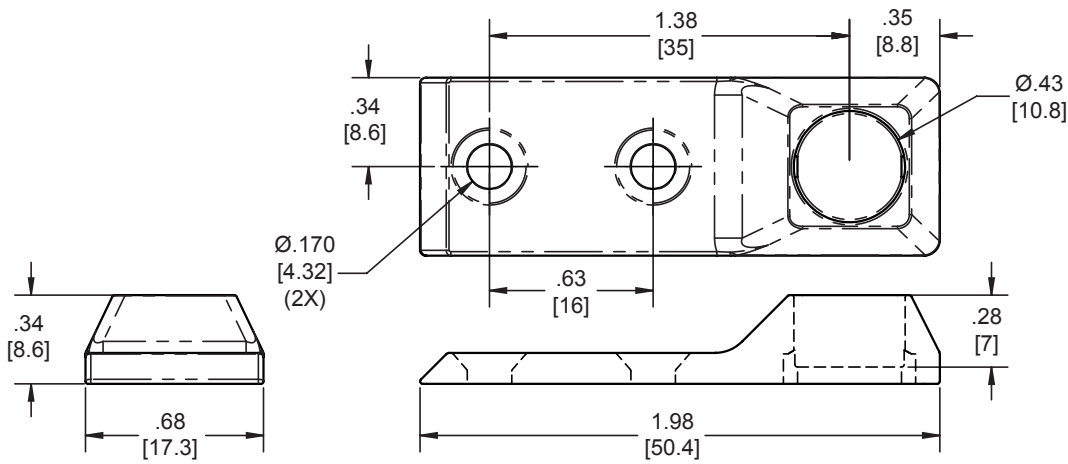


5EL Sliding Door Catch

Accessory kit that provides location options for the 5EL e-lock by receiving the lock striker.



Screw Mount Catch Kit

Glass Mount Catch Kit

Inch/mm

Specifications

Finish: Zinc

Height: .34" [8.6]

Length: 1.98" [50.4]

Mounting: Screw (included) or Glue (not included)

Mounting Hardware: #6 Flat Head (2X-included)

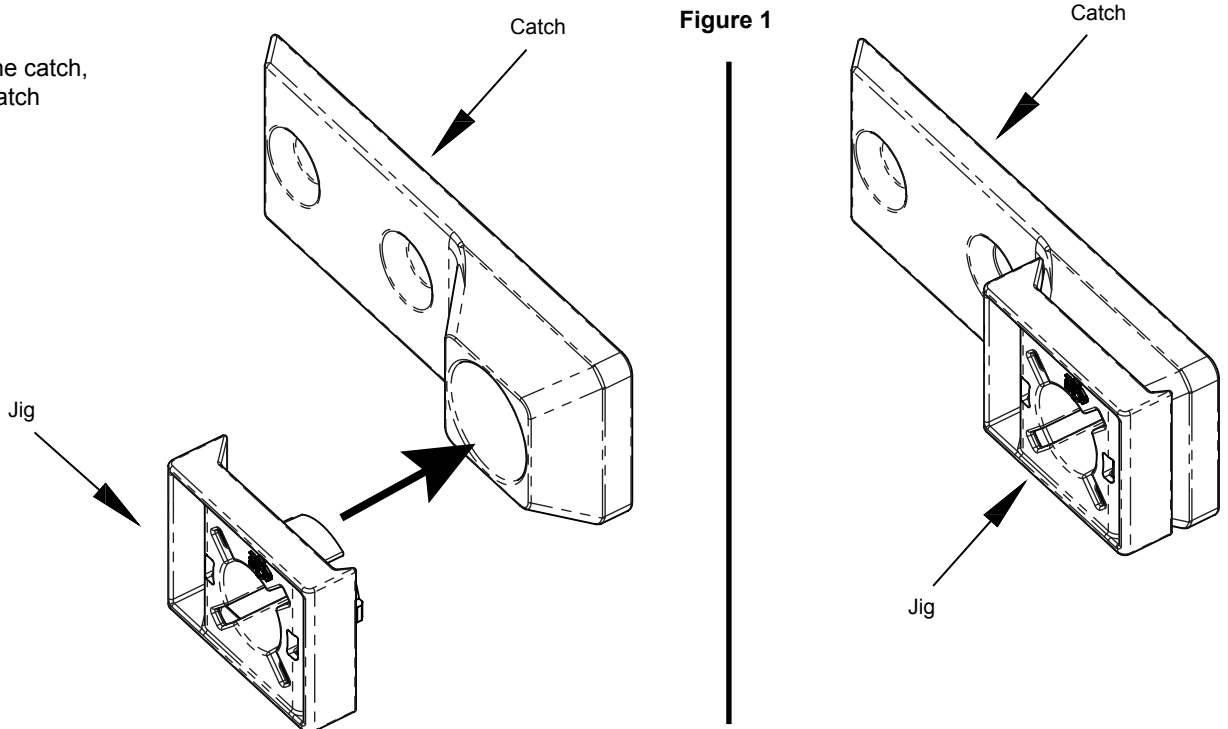
Options: Glass Mount Catch Kit or Screw Mount Catch Kit



WARNING! Before installing the lock and the catch, you must have access to manual override lever or the activation device must be connected. **Otherwise, the lock will not unlock and open.**

Installation

First, insert the jig into the catch, by snapping it into the catch cavity. See Figure 1.

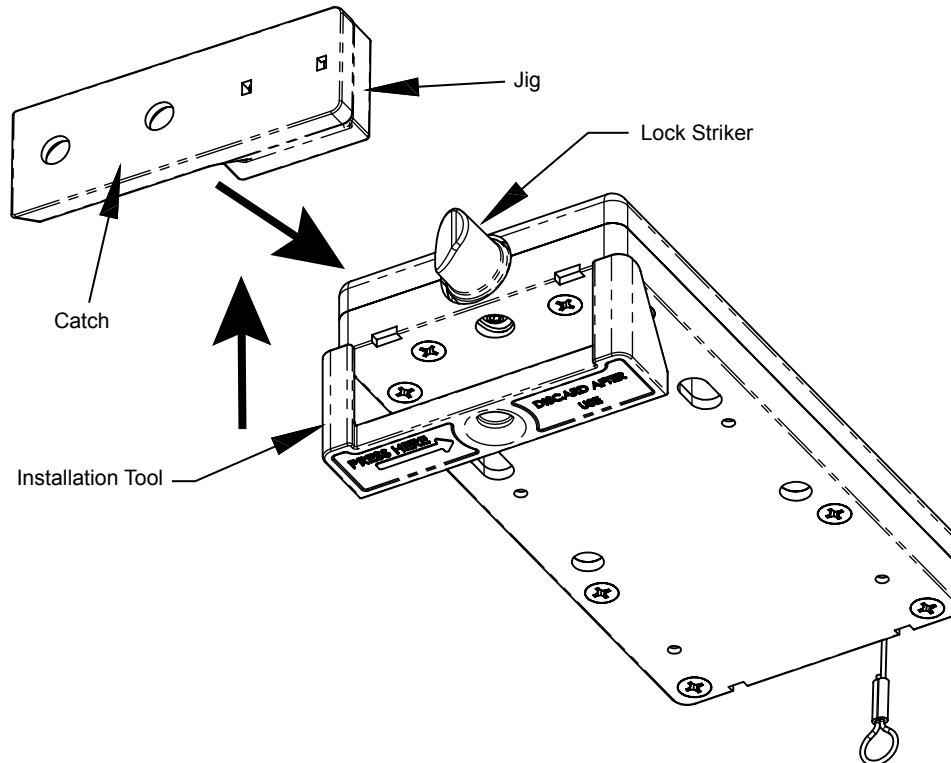


5EL Sliding Door Catch

Accessory kit that provides location options for the 5EL e-lock by receiving the lock striker.

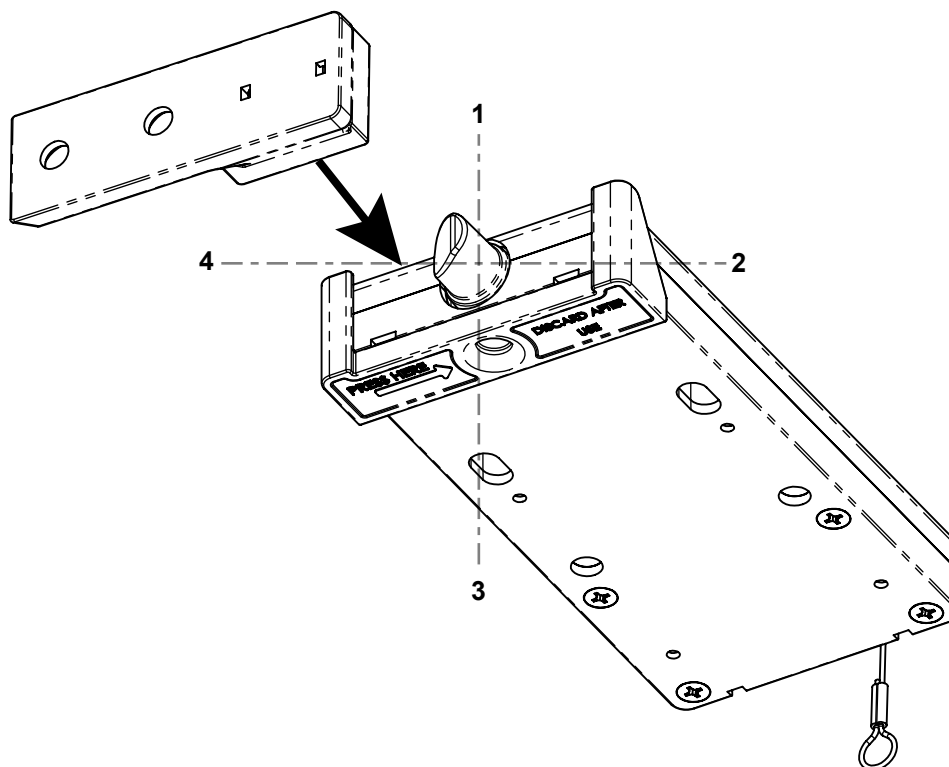
To position the catch on the lock, first, take the installation tool and hold it against the bottom of the lock. Be sure the screw of the lock striker is aligned with the access hole, see Figure 2.

Figure 2



Once the installation tool is in place, hold it and press firmly in the center to hold the lock striker outward. Slide the lock striker into the jig and press firmly to seat the striker into the jig. You will be able to position the catch orientation by placing the catch in 4 possible locations at 90-degree rotation before pressing the striker into the jig. See Figure 3.

Figure 3



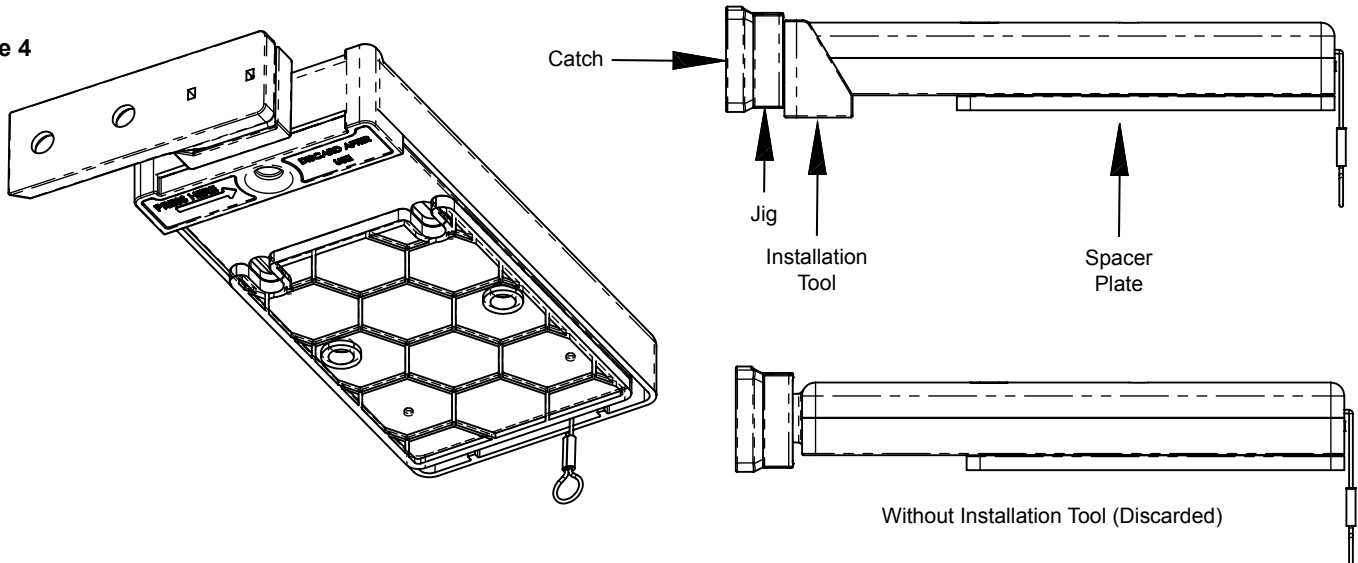
5EL Sliding Door Catch

Accessory kit that provides location options for the 5EL e-lock by receiving the lock striker.



Once the catch is pressed onto the lock striker, the installation tool can be discarded. For the catch installation, you will need the spacer plate (included with the 5EL e-lock). See Figure 4.

Figure 4



To complete the installation for the 5EL lock refer to the 5EL technical sheet for instructions and adjustments. The installation method for the e-lock remains the same however the gap distance from the door to the e-lock increases to accommodate the catch.

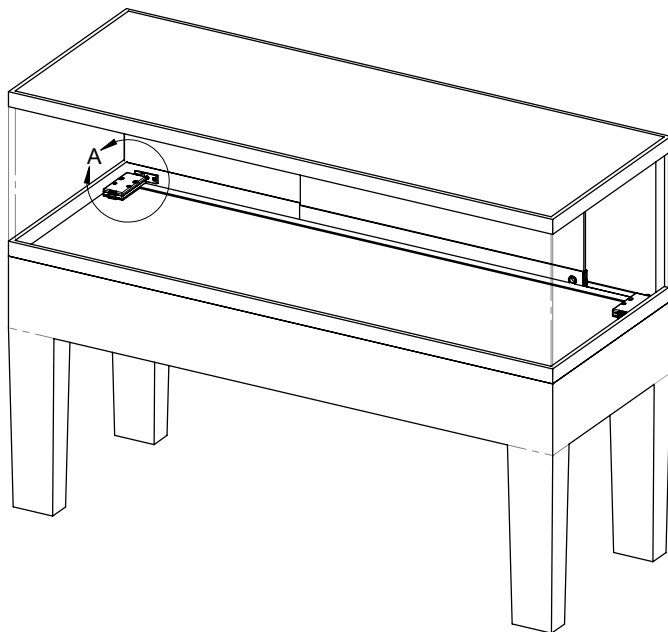
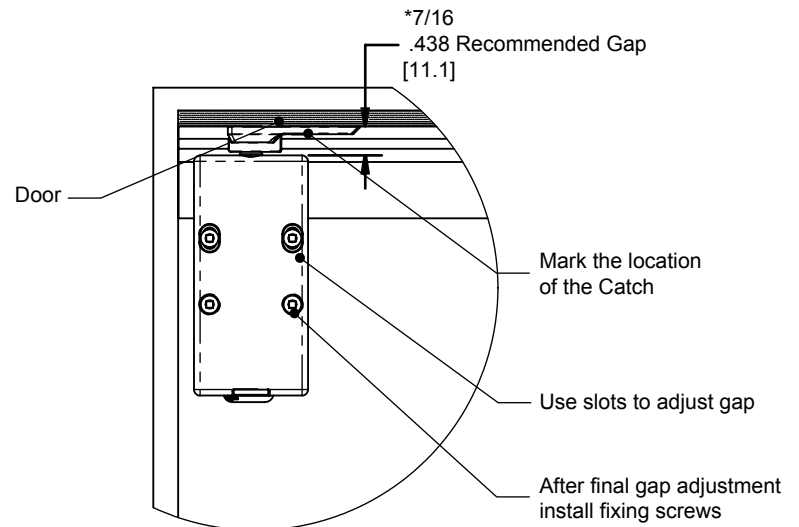


Figure 5



* If using the 5EL Sliding Door Catch Kit adjust the gap distance to accommodate the catch.

To install the Screw Mount Catch use the included screws. To install the Glass Mount Catch follow the recommended adhesive instructions.

5EL Sliding Door Catch

Accessory kit that provides location options for the 5EL e-lock by receiving the lock striker.

Packaging/Ordering Instructions

The 5EL sliding door catch is available in two options:

Glass Mount Catch Kit:

To locate the catch on glass doors. Specify P/N 4180-0763-XE and includes:

- Catch
- Jig
- Installation tool
- Technical sheet

Adhesives are not included. Accuride recommends two adhesives based on the customer's needs and availability. Nano 470 construction adhesive an UV cure metal to glass adhesive, and VersaChem p/n 11109 rear view mirror adhesive. Please follow the manufacture's recommendations for adhesive application and curing.

Screw Mount Catch Kit:

To locate catch on surfaces other than glass (wood or metal). Specify P/N 4180-0764-XE and includes:

- Catch
- Screws (2X)
- Jig
- Installation tool
- Technical sheet

Specifications

Catch: Zinc alloy
 RoHs compliant

NOTE: Specifications, material, prices, terms, and delivery are subject to change without notice.

For the most current technical information visit senseonsecure.com.

For the technical support visit senseonsecure/support

Warranty

For warranty information visit <http://www.senseonsecure.com/warranty>



ACCURIDE INTERNATIONAL INC.

12311 Shoemaker Avenue
 Santa Fe Springs, CA 90670

TEL (562) 903-0200

FAX (562) 903-0208

www.accuride.com

Manufacturing, Engineering, and Sales

United States • Germany • Japan • Mexico • United Kingdom • China