



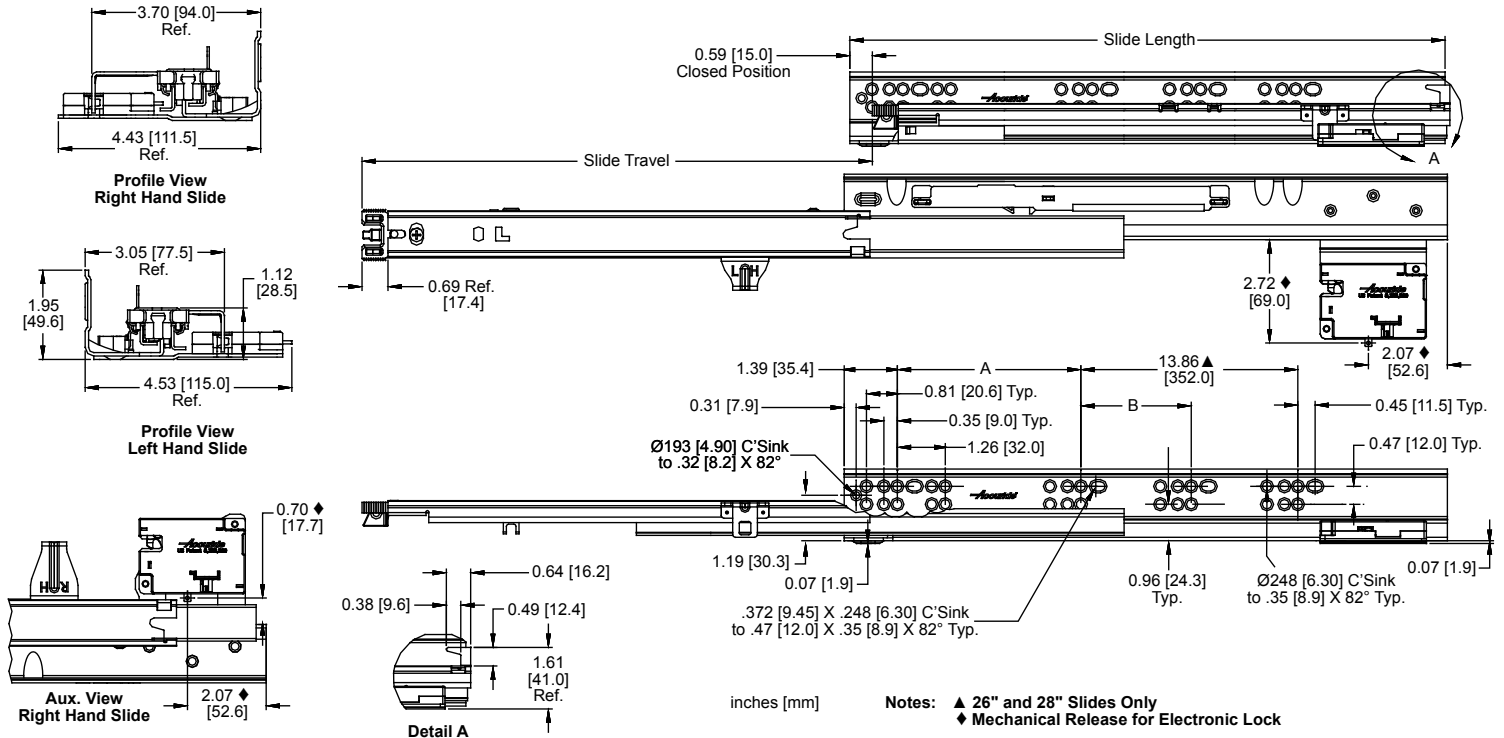
## Model 3135ECEL

Eclipse Undermount with Senseon Electronic Lock and Easy-Close.  
Vertical, horizontal, and front-to-back drawer front adjustment.  
Optional Bottom Bracket

**APPLICATIONS:** For use in commercial and high end residential applications in drawers and shelves up to 30" wide. **This product is covered by U.S. (8,328,299) and various patents pending.**

## 3135ECEL QUICK REFERENCE

Mounting: Undermount (Side)  
Lengths: Even lengths 12"-28"  
15" and 21"  
Load Rating: 100 lbs.\*  
Senseon Electronic Lock with Easy-Close  
Lock Force: 250 lbf.



**Lengths** Even lengths 12"-28" [305 mm-711 mm], 15" [381mm] and 21" [533mm]

**Height** 1.12 [28.5]-Under drawer  
1.95 [49.6]-Overall

**Travel** Full extension

**Slide Finish** Bright electro-zinc

**Load Rating** 100 lbs.\* [45.5 kg]

**Mounting** Undermount (Side), Optional bottom brackets available.

**Features** Compatible with 1/2" [12.7 mm] to 5/8" [15.9 mm] drawer box thickness, 1/8" [3.2 mm] range of horizontal, vertical, front to back drawer front adjustment.

Part number	Slide Length	Slide Travel	A	B	Drawer Depths	Cabinet Depths
C 3135-12ECEL	12.00 [304.8]	11.50 [292.1]	5.04 [128.0]	3.78 [96.0]	12.00 [304.8]	12.63 [320.8] to 14.63 [371.6]
C 3135-14ECEL	14.00 [355.6]	13.50 [349.9]	5.04 [128.0]	3.78 [96.0]	14.00 [355.6]	14.63 [371.6] to 16.63 [422.4]
C 3135-15ECEL	15.00 [381.0]	14.50 [368.3]	5.04 [128.0]	3.78 [96.0]	15.00 [381.0]	15.63 [397.0] to 17.63 [447.8]
C 3135-16ECEL	16.00 [406.4]	15.50 [393.7]	5.04 [128.0]	7.56 [192.0]	16.00 [406.4]	16.63 [422.4] to 18.63 [473.2]
C 3135-18ECEL	18.00 [457.2]	17.50 [444.5]	5.04 [128.0]	7.56 [192.0]	18.00 [457.2]	18.63 [473.2] to 20.63 [524.0]
C 3135-20ECEL	20.00 [508.0]	19.50 [495.3]	8.82 [224.0]	7.56 [192.0]	20.00 [508.0]	20.63 [524.0] to 22.63 [574.8]
C 3135-21ECEL	21.00 [533.4]	19.75 [501.6]	8.82 [224.0]	7.56 [192.0]	21.00 [533.4]	21.63 [549.4] to 23.63 [600.2]
C 3135-22ECEL	22.00 [558.8]	21.50 [546.1]	8.82 [224.0]	10.08 [256.0]	22.00 [558.8]	22.63 [574.8] to 24.63 [625.6]
C 3135-24ECEL	24.00 [609.6]	23.50 [596.9]	8.82 [224.0]	10.08 [256.0]	24.00 [609.6]	24.63 [625.6] to 26.63 [676.4]
C 3135-26ECEL	26.00 [660.4]	25.50 [647.7]	8.82 [224.0]	10.08 [256.0]	26.00 [660.4]	26.63 [676.4] to 28.63 [727.2]
C 3135-28ECEL	28.00 [711.2]	27.50 [698.5]	8.82 [224.0]	10.08 [256.0]	28.00 [711.2]	28.63 [727.2] to 30.63 [778.0]

\* Load rating based on 18" slides installed in a 30" wide drawer cycled 50,000 times.

**Drawer and Cabinet Build Requirements**

FIGURE 1

Build drawer and cabinet based on dimensions shown.

Drawer side thickness	5/8" [16]	19/32" [15]	9/16" [14]	1/2" [13]
For outside drawer width (deduct from inside cabinet width)	1/2" [13]	9/16" [14]	5/8" [16]	3/4" [19]
For inside drawer width (deduct from inside cabinet width)	1 3/4" [44.5]			

Maximum drawer height equals cabinet opening height minus 13/16" [20.6 mm].

Recommended drawer bottom inset 1/2" [13 mm] max.

FIGURE 2

Drawer depth equals slide length.

**Drawer Preparation**

FIGURE 3

Notch drawer back flush with drawer bottom to provide clearance for slides. Pre-drill holes for disconnect levers.

FIGURE 4

Pre-drill four holes for disconnect handle assemblies at 10° angle from bottom panel.

FIGURE 5

Install both disconnect levers to bottom of the drawer.

**NOTE: The levers should curve toward the center of the drawer.**

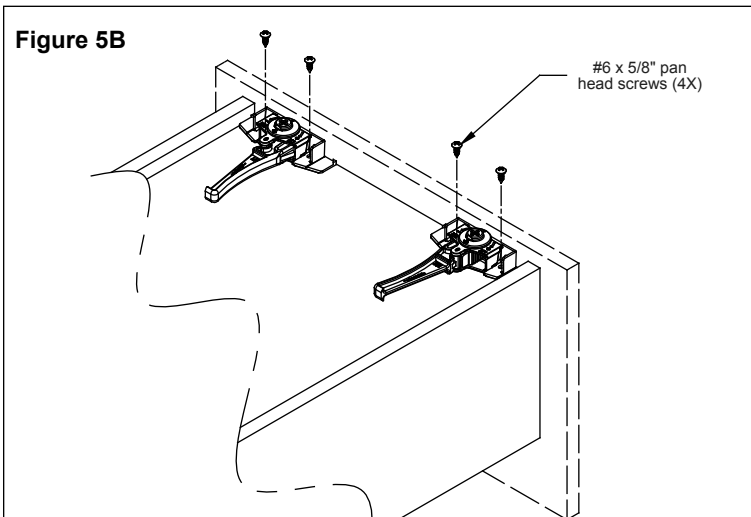
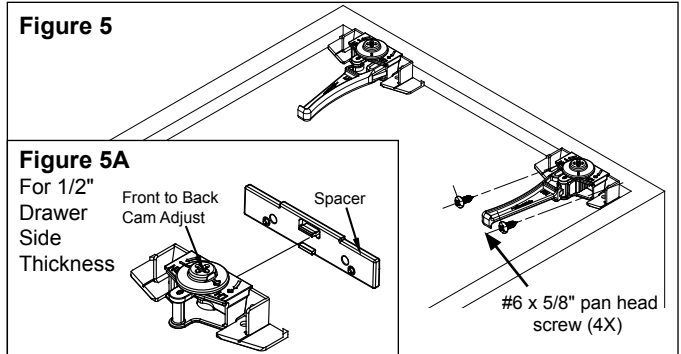
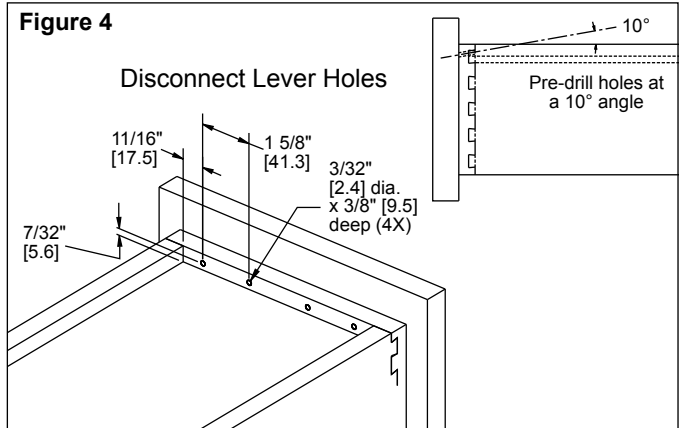
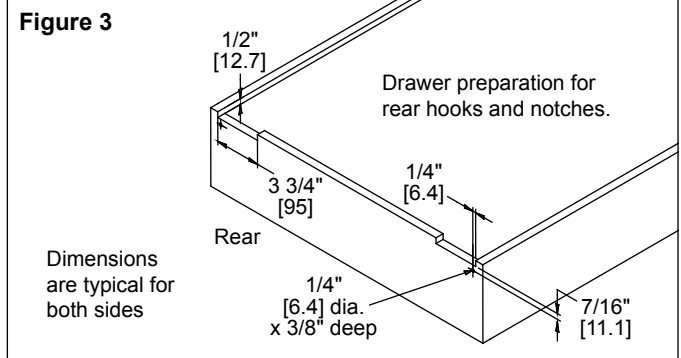
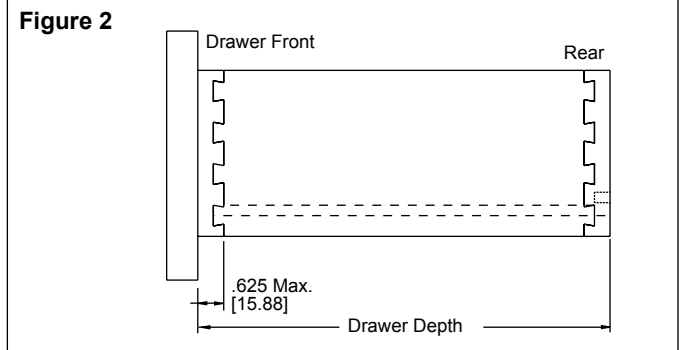
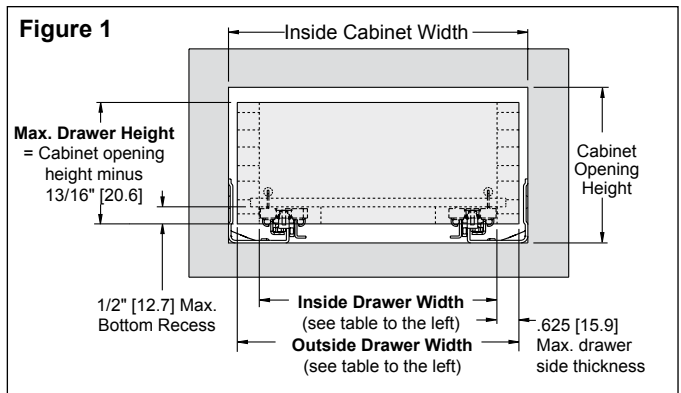
Place disconnect handles against each inside corner of the drawer bottom and install with #6 pan head screws.

**Standard Lever Disconnect (vertical and horizontal)**

FIGURE 5A and 5B

For 1/2" drawer side thickness, install the included spacers along with the disconnect handles as shown in Figure 5A.

For drawers with bottom panels flush to the drawer front install lever disconnect vertically as seen in Figure 5B.



**Cabinet Member Installation**

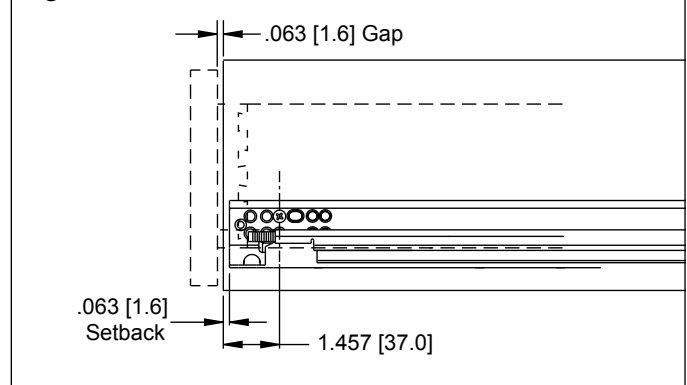
Overlay Side mount or Frameless

FIGURE 6

If needed, pre-drill a hole 37 mm from cabinet front. The optional drill jig can be used to pre-drill this hole and/or pencil mark line in the 37 mm location from the cabinet front. For location of additional screw holes refer to the tabulated data on front page.

Install slides to cabinet wall with #8 x 5/8" flat head screws. Align slide member hole shown to pre-drilled hole 37 mm from front of cabinet to ensure proper gap. A minimum of 3 screws are recommended for each side. To finalize installation, see Fig. 9 instructions.

**Figure 6**

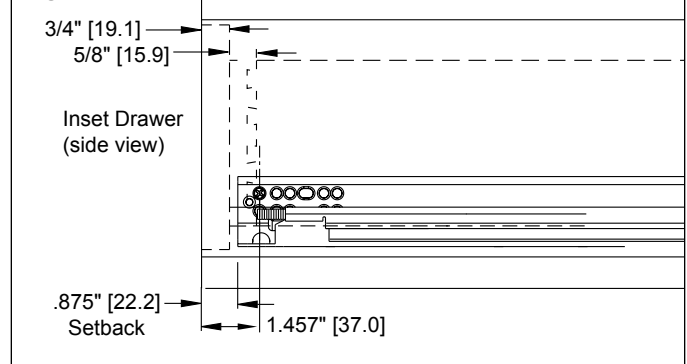


Inset Side mount or Frameless

FIGURE 7

Align slide member hole shown to pre-drilled hole 37 mm from front of cabinet for 5/8" drawer box thickness. Install slides to cabinet wall with #8 x 5/8" flat head screws.

**Figure 7**

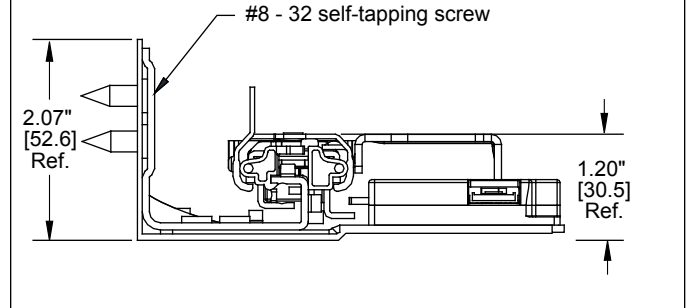


Bottom Mount Bracket Option

FIGURE 8

Purchase the optional bottom mount bracket kit 4180-0569-XE (see last page). Refer to the installation guide provided in the kit for detailed mounting instructions.

**Figure 8**



**Drawer Installation and Adjustments**

FIGURE 9

Connect the drawer to the slides. Lower the drawer onto the slides and push until the levers lock onto the front of the slides. Continue to push until the drawer "ratchets" in completely (Figure 9). Check to ensure the rear hooks on the slide fit into the rear holes of the drawer.

**Figure 9**

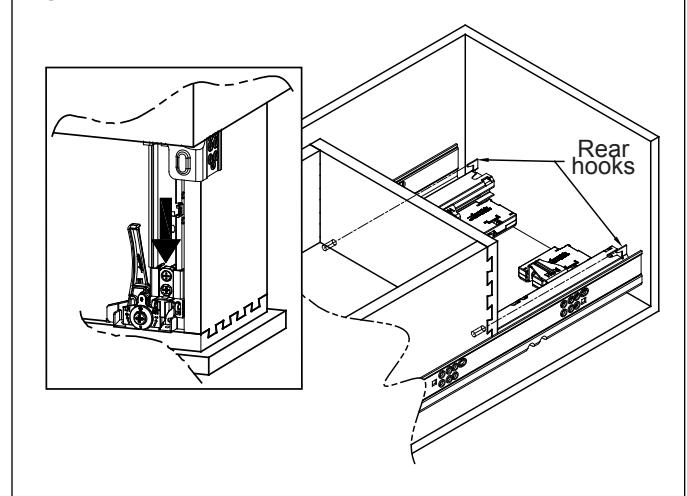


FIGURE 10

**NOTE:** Prior to making any drawer adjustment, loosen the black 1/4-turn lateral lock by turning it counterclockwise.

Horizontal, Vertical and Front-to-Back adjustment of drawer front is possible by rotating the corresponding cam with a #2 Phillips or #2 pozi screwdriver. To secure drawer front position, lock the drawer position by turning the 1/4-turn lateral lock clockwise 1/4-turn.

**WARNING!** Before installing the drawer, you must have access to the lock's manual override lever.

**Figure 10**

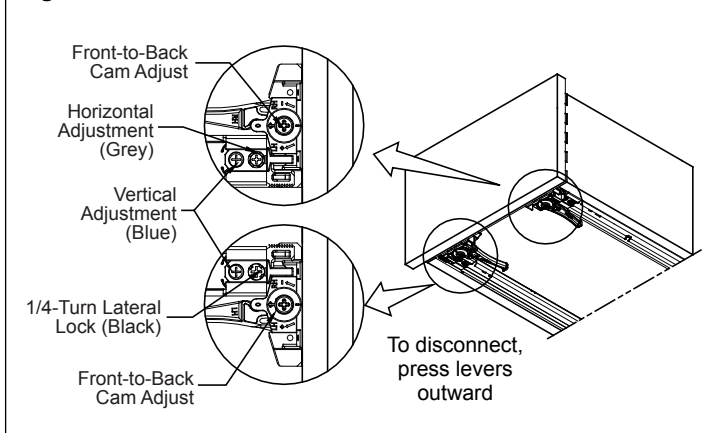
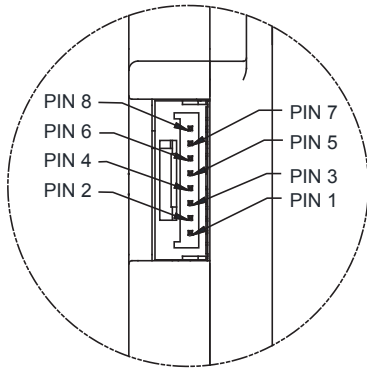
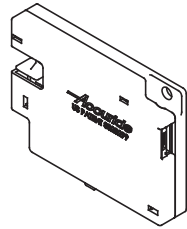


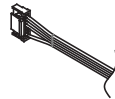
Figure 11



**SM08B-GHS-TB** (JST lock connector)



**GHR-08V-S** (JST cable connector)



WIRE	COLOR
8	RED
7	GREY
6	GREY
5	GREY
4	GREY
3	GREY
2	GREY
1	GREY

OEM Cable

- 8 PWR (+5VDC to +24VDC Max)
- 7 PWR (-) Ground
- 6 Trigger : See Note 3
- 5 Jumper connection for TR only
- 4 Drawer Status
- 3 For internal use only, do not use\*
- 2 For internal use only, do not use\*
- 1 Lock Status

**Technical Data**

Voltage Supply : +5VDC to +24VDC Maximum

Current Consumption : 50mA for 200 milliseconds @12VDC  
(Unlocking and Locking)

**Internal Sensor Specifications**

Mechanical Life : 300,000 cycles  
(Drawer Contact "DC")  
(Lock Contact "LC")

**Notes:**

1. Drawer status output:  
Drawer open : = "Open"  
Drawer closed : = "Ground"
2. Lock status output:  
Lock is unlocked : = "Open"  
Lock is locked : = "Ground"
3. +5VDC to +24VDC Max at pin 6 will unlock the Electronic Lock. The Electronic Lock will remain unlocked until +VDC is removed.
4. (\*) PIN 2 & 3 ARE USED FOR INTERNAL USE DO NOT USE.

**WIRING SCHEMATIC**

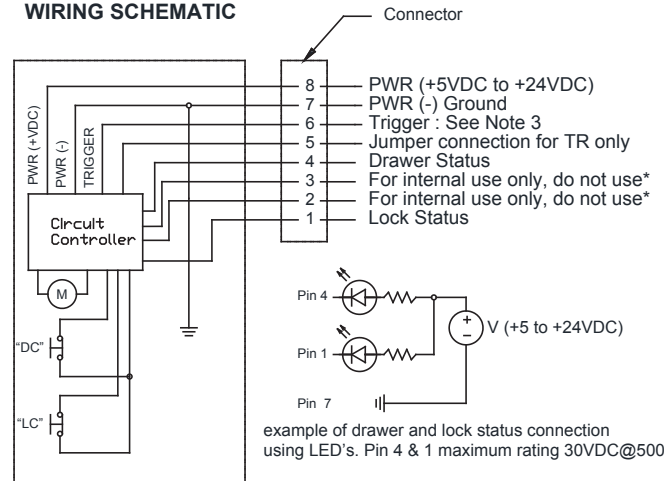
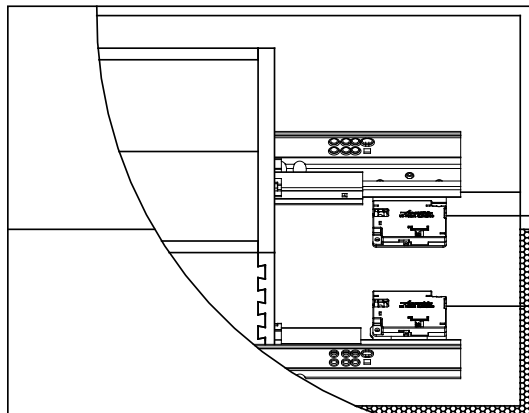


Figure 12

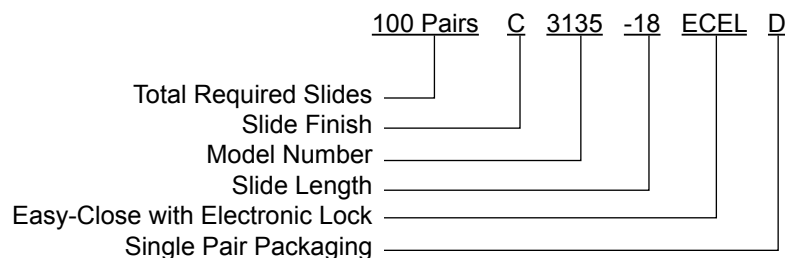
**3135ECEL Basic Wiring Diagram**



The electronic lock is connected to the activation device. The activation device is connected to the power supply, which powers the activation device and locking mechanism. The activation device and the power supply are included in the Proximit Kit SEPROX-US-Kit1.

Refer to Senseon [Installation Guide](#) for complete system instructions.

Complete your order for Accuride model 3135ECEL by specifying the following:



**Required Kits**

**Proximity Kit:**

- One proximity kit per each Senseon system.
- Part number SEPROX-US-Kit1. This kit includes:
- 1 RFID Reader            1 Top link Cable
- 1 Power Supply            1 AC Cord
- 1 Reader Holder           1 Proximity Kit Box
- 1 DC Power Cable        2 Power Supply Holders
- 12 Cable Clips

**Hub Kit:** One Hub Kit per cabinet opening (drawer and door). Modular wiring kit part number SEHUBX-Kit1. This kit includes:

- 1 Hub Assembly
- 2 Hub to Lock Cable
- 4 Cable Clips
- 6" Double Stick Tape

**Optional Kits**

**Linking Cables:** To connect multiple banks for lock openings.

- Top Linking        SELINK-TOP-KIT1
- Bottom Linking   SELINK-BTM-KIT1

**Extension Cables:** Available in 3 lengths

- 6"    SECBLX-6-KIT1
- 12"   SECBLX-12-KIT1
- 24"   SECBLX-24-KIT1

**Note:** See installation and ordering guides.

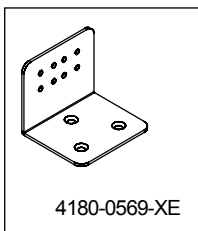
Click here for [Installation Guide](#)

Click here for [Ordering Guide](#)

**Optional Hardware Kit**

**Bottom Mount Brackets:**

Bottom mount brackets are ordered as a kit. Mounting screws are not included. To order the kit, specify part number 4180-0569-XE. Each kit contains 4 bottom mount brackets, self-tapping screws and one installation sheet.



- Slide Members:        Cold rolled steel
- Ball Retainers:        Polymer
- Ball Bearings:        Carburized steel and polymer
- Rollers:                Polymer
- RoHs Compliant

**NOTE:** Specifications, materials, prices, terms, and delivery are subject to change without notice.

**Packaging Options**

**Distributor (D) Pack**

All lengths are packaged 1 pair per box. Box includes one pair of slides with 6 ea. #8 x 5/8" Phillips flat head screws (for slides), 2 ea. standard horizontal disconnect levers, and 4 ea. #6 x 5/8" phillips pan head screws (for levers).

**Bulk (P) Pack**

All lengths package 4 pairs per box. A separate polybag containing 36 ea. #8 x 5/8" Phillips flat head screws is included. Disconnect levers and screws for lever installation are ordered separately.

**Disconnect Lever Packaging Options**

**Standard Horizontal and Vertical Lever Disconnect (P/N 4180-0747)**

One pair individually packaged with 4 ea. #6 x 5/8" Phillips pan head type 17s in a polybag.

**Standard Horizontal and Vertical Lever Disconnect, Bulk (P/N 4180-0748)**

Left hand and right hand levers are packaged separately. 60 levers per box. Each box contains 120 mounting screws in a polybag.

**Warranty**

For warranty information visit <http://www.senseonsecure.com/warranty>



ACCURIDE INTERNATIONAL INC.

12311 Shoemaker Avenue  
Santa Fe Springs, CA 90670

TEL (562) 903-0200  
FAX (562) 903-0208  
www.accuride.com

Manufacturing, Engineering, and Sales  
United States • Germany • Japan • Mexico • United Kingdom • China